



**AW C / CE**  
**Hot water fan heaters for  
corrosive environments**



# AW C / CE

## Fan heaters for corrosive environments

AW fans are a range of fan heaters that are suitable for environments with stringent requirements in terms of materials and safety, such as corrosive environments. All fan heaters are easy to install.

AW fans are available in two sizes and two different models.

- Two sizes and two models
- Stainless chassis
- Intended for wall mounting
- Easy 230 VAC 1-ph. installation
- Adjustable air deflectors control vertical air flow
- AW CE comes with an inspection access point for cleaning of fan and coil
- AW C comes with opening front panel for easy cleaning
- All models are intended for external control

### Design

Each model has a unique design to fit a specific environment.

AW C for corrosive environments, see page 4

AW CE for corrosive environments, see page 6



### Approvals

Our fan heaters are produced in accordance with the following directives:

LVD directive: EN 60355-1 and EN 60335-2-30

EMC directives: EN 61000-6-1, EN 61000-6-2, EN 61000-6-3 and EN 61000-6-4

EMF directive: EN 62233





*AW CE comes with an inspection access point with quick release, which facilitates inspection and cleaning.*



*AW C comes with an opening front panel.*



*The opening front panel on AW C facilitates inspection and make it easier to clean the fan and coil.*

# AW C

## Fan heaters for corrosive environments

AW C heating fans have been specially designed for wall mounting in corrosive environments. AW C fan heaters feature IP65 protection against dust and water jets.

- Uses hot water as the energy medium
- Intended for use in humid and corrosive environments
- Meets the requirements for corrosion class C5-M
- Casing and bracket made of acid-resistant stainless steel, EN 1.4404
- Coil with acid-resistant stainless steel pipes, EN 1.4404
- Aluminium fins with nanocoating (meets corrosion class C5-M)
- IP65 degree of protection—protected against dust and water jets

### Design

Casing and air deflectors are made of acid-resistant stainless steel, EN 1.4404. Coil with acid-resistant stainless steel pipes, EN 1.4404 and aluminium films with nanocoating. Opening front panel for easy cleaning. IP65 degree of protection (protected against dust and water jets). Supplied with a wall bracket.

### Control Unit

AW C fan heaters are supplied without any automation and a single fan speed.

### Dimensioning

Dimensioning can easily be achieved with our web-based calculation program VEAB Select ([www.veab.com](http://www.veab.com)).

If necessary, contact our sales staff for help.

### Dimensional Drawing

See page 14.






## Project Design/Orders

### Description – AW C

Hot water fan heater, VEAB type AW C, with casing and air deflectors made of acid-resistant stainless steel, EN 1.4404. Coil with acid-resistant stainless steel pipes, EN 1.4404 and aluminium films with nanocoating. Meets the requirements for corrosion class C5-M. Opening front panel for easy cleaning. IP65 degree of protection. Supplied with a wall bracket. Accessories such as thermostat and filter ordered separately.

## Accessories (To be ordered separately)

|   | Product                         | Description   |
|---|---------------------------------|---|
|  | Valve VM 8622-3.6<br>for AW C22 | Stainless steel, EN 1.4401<br>230 V, IP65 degree of protection<br>140 °C, 16 bar max.<br>VM 8622 Kv 3.6, 3/4" connection<br>VM 8622 Kv 8.4, 1" connection |
|   | Valve VM 8622-8.4<br>for AW C42 |   |
|  | Thermostat AWST35               | Sealed thermostat 0-35 °C.<br>IP65 degree of protection<br>2.6 A AC3  |
|  | Flat filter AWPFC               | Max. hot water temperature at the installed<br>filter is 100 °C.  |

## Product Range Overview

| Type                               |                   | AW C22                   | AW C42                                  |
|------------------------------------|-------------------|--------------------------|---|
| Voltage                            |                   | 230 VAC 1-ph.<br>50/60Hz | 230 VAC 1-ph.<br>50/60 Hz <sup>3)</sup> |
| Power consumption, max.            | A                 | 0.5                      | 1.35                                    |
| Air volume                         | m <sup>3</sup> /h | 2160                     | 4300                                    |
| Sound pressure level <sup>1)</sup> | dB(A)             | 59                       | 69                                      |
| Horizontal range                   | m                 | 7                        | 10                                      |
| Connector pipe                     |                   | R3/4"                    | R3/4"                                   |
| Max. operating temp. water         | °C                | 150                      | 150                                     |
| Max. operating pressure water      | bar               | 16                       | 16                                      |
| Max. ambient temperature           | °C                | 70 <sup>2)</sup>         | 70 <sup>2)</sup>                        |
| Weight                             | kg                | 31                       | 47                                      |
| Degree of protection               |                   | IP65                     | IP65                                    |

<sup>1)</sup> Measured at 5 metres in front of AW unit.

<sup>2)</sup> 35 °C using VEAB's thermostat.

<sup>3)</sup> AW C42, 60 Hz max. 40 °C ambient temperature.



# AW CE

## Fan heaters for corrosive environments

AW CE heating fans have been specially designed for wall mounting in corrosive environments. It features IP65 protection class, protected against dust and water jets.

- Uses hot water as the energy medium
- Intended for use in humid and corrosive environments
- Coil coated with ElectroFin E-coat and meets the requirements of corrosion classes C5-I and C5-M.
- Casing and wall bracket made of acid-resistant stainless steel, EN 1.4404
- Cleaning cover with snap lock
- IP65 degree of protection (protected against dust and water jets)

### Design

Casing and air deflectors made of acid-resistant stainless steel, EN 1.4404. Coil with copper pipes and aluminium fins coated with ElectroFin E-coat. This means that the entire coil is double-painted with flexible epoxy polymer with 100% degree of cover. Thermal loss is less than 1%. The coil thereby fulfils the requirement for corrosion classes C5-I and C5-M. Cleaning cover with snap lock for ease of cleaning. IP65 degree of protection (protected against dust and water jets). Supplied with a wall bracket.



### Control Unit

Supplied without any automation and a single fan speed.

### Dimensioning

Dimensioning can easily be achieved with our web-based calculation program VEAB Select ([www.veab.com](http://www.veab.com)).

If necessary, contact our sales staff for help.

### Dimensional Drawing

See page 15.

## Project Design/Orders

### Description – AW CE

Hot water fan heater, VEAB type AW CE, with casing and air deflectors made of acid-resistant stainless steel, EN 1.4404. Coil with copper pipes and aluminium fins coated with ElectroFin E-coat. Thereby fulfils the requirement for corrosion classes C5-I and C5-M. Cleaning cover with snap lock for ease of cleaning. IP65 degree of protection. Supplied with a wall bracket. Accessories such as thermostat and filter ordered separately.

## Product Range Overview




| Type                               |                   | AW C22E                  | AW C42E                                 |
|------------------------------------|-------------------|--------------------------|---|
| Voltage                            |                   | 230 VAC 1-ph.<br>50/60Hz | 230 VAC 1-ph.<br>50/60 Hz <sup>2)</sup> |
| Power consumption, max.            | A                 | 0.5                      | 1.35                                    |
| Air volume                         | m <sup>3</sup> /h | 2100                     | 4200                                    |
| Sound pressure level <sup>1)</sup> | dB(A)             | 59                       | 69                                      |
| Horizontal range                   | m                 | 7                        | 10                                      |
| Connector pipe                     |                   | R3/4"                    | R1"                                     |
| Max. operating temp. water         | °C                | 150                      | 150                                     |
| Max. operating pressure, water     | bar               | 16                       | 16                                      |
| Max. ambient temperature           | °C                | 70 <sup>2)</sup>         | 70 <sup>2)</sup>                        |
| Weight                             | kg                | 29                       | 45                                      |
| Degree of protection               |                   | IP65                     | IP65                                    |

<sup>1)</sup> Measured at 5 metres in front of AW unit.

<sup>2)</sup> 35 °C using VEAB's thermostat.

<sup>3)</sup> AW C42E, 60 Hz max. 40 °C ambient temperature.

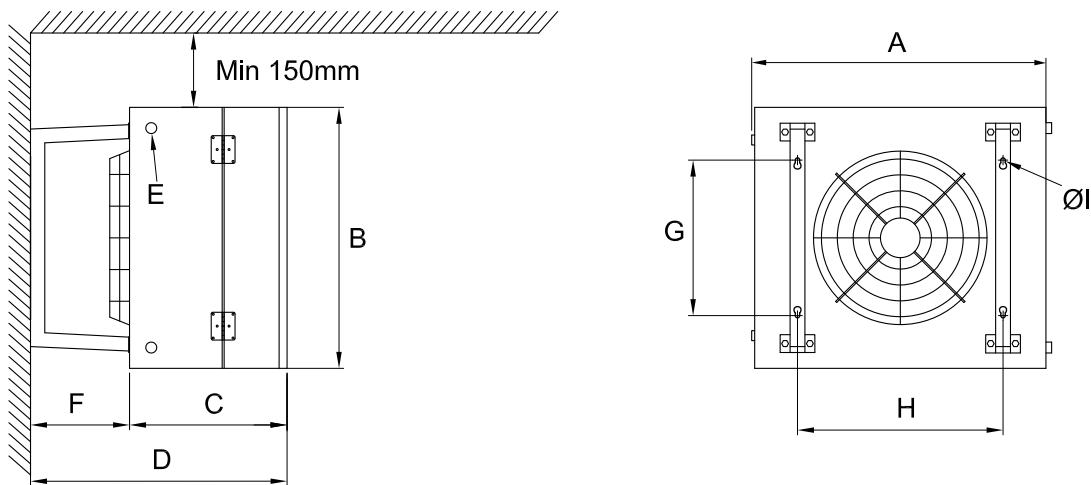
## Accessories (To be ordered separately)

|   | Product                          | Description   |
|---|----------------------------------|---|
|  | Valve VM 8622-3.6<br>for AW C22E | Stainless steel, EN 1.4401<br>230 V, IP65 degree of protection<br>140 °C, 16 bar max.<br>VM 8622 Kv 3.6, 3/4" connection<br>VM 8622 Kv 8.4, 1" connection |
|   | Valve VM 8622-8.4<br>for AW C42E |   |
|  | Thermostat AWST35                | Sealed thermostat 0-35 °C.<br>IP65 degree of protection<br>2.6 A AC3  |
|  | Flat filter AWPFH                | Max. hot water temperature at the installed<br>filter is 100 °C.  |

## Dimensional Drawing

### AW C

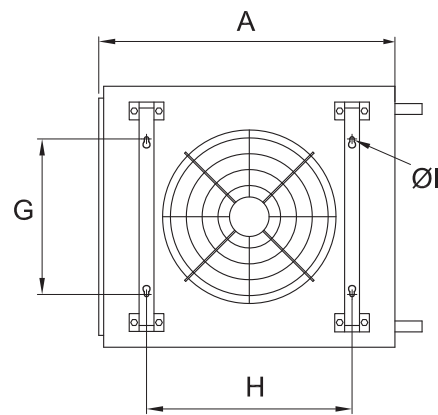
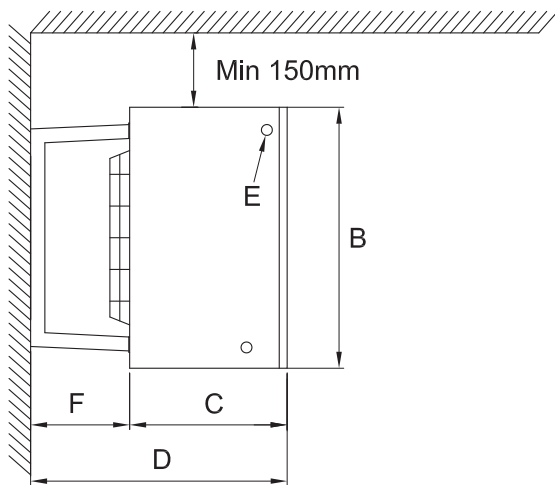
| Dimensions | A mm | W mm | C mm | D mm | E      | F mm | G mm | H mm | Ø I |
|------------|------|------|------|------|--------|------|------|------|-----|
| AW C22     | 585  | 535  | 395  | 705  | G 3/4" | 250  | 330  | 410  | 10  |
| AW C42     | 740  | 660  | 395  | 725  | G 3/4" | 270  | 420  | 505  | 10  |





## AW CE

| Dimensions | A mm | W mm | C mm | D mm | E      | F mm | G mm | H mm | Ø I |
|------------|------|------|------|------|--------|------|------|------|-----|
| AW C22E    | 550  | 530  | 380  | 630  | R 3/4" | 250  | 330  | 410  | 10  |
| AW C42E    | 705  | 655  | 430  | 700  | R 1"   | 270  | 420  | 505  | 10  |





**VEAB Heat Tech AB**  
Tel +46(0)451-485 00  
[www.veab.com](http://www.veab.com) • [veab@veab.com](mailto:veab@veab.com)  
Sweden