

CWDX
Duct mounted condensor
for heating and cooling with heat pump



CWDX

Duct mounted condensor for heating and cooling with heat pump

The CWDX is used with a heat pump to heat and cool ventilationsystems.

Can be combined with outdoor units made by various manufacturers and their control equipment accessories.

- 4 standard sizes
- Opening access panel for inspection and cleaning
- Stainless drip tray for condensation water
- Hydrofill coated fins for improved water runoff
- Designed for combined cooling and heating operation using a heat pump with controller
- Air tightness class D as per EN 15727



Design

Design Casing made of Magnelis steel, S 220, ZM 310.

Coil with copper pipes and pipe connections as well as hydrofill coated aluminium fins.

Opening access panel for easy inspection and cleaning. Stainless steel drip tray (EN 1.4301) for condensation water with connection for drain (G $\frac{1}{2}$ "). Duct connections are fitted with rubber gaskets.

Operating Data

Max. operating pressure: 4.29 MPa (42.9 bar)

Test pressure: 4.8 MPa (48 bar)

The batteries have been pressurised and leak tested.

Dimensioning

Dimensioning can easily be achieved with our web-based calculation program VEAB Select (www.veab.com).

If necessary, contact our sales staff for help.

Installation

CWDX are intended for installation in a horizontal duct.

Hygiene

The design with an opening access panel allows for inspection and cleaning of coil, drip tray and air channels. This contributes to cleaner air and thus fresh and healthy ventilation air.

Air Tightness Class D

CWDX duct coolers meet air tightness class D as per EN 15727, which ensures that the chilled air reaches its destination and does not leak out of the ventilation system that saves both energy and money.

Tightness class D is the highest classification according to EN 15727.



Capacity CWDX heating and cooling with R32

Air in °C	Velocity m/s	Condensation temp	Capacity heating kW			
			CWDX 200	CWDX 250	CWDX 315	CWDX 400
15	2	40	2,7	4,6	6,6	9,6
20	2	40	2,1	3,6	5,2	7,5
Inner Volume coil (l)			0,9	1,4	1,9	2,6
Min airflow (m ³ /h)			300	470	700	1000
Max airflow (m ³ /h)			1300	2100	3100	4400

Condensation temperature 40° C

Sub cooling: 3° C

De-Super heating 5° C

Inlet humidity: 50%

Air in °C	Velocity m/s	Evaporation temp °C	Capacity cooling kW			
			CWDX 200	CWDX 250	CWDX 315	CWDX 400
27	2	5	3,1	5,1	7,3	10,7
Min airflow (m ³ /h)			300	470	700	1000
Max airflow (m ³ /h)			720	1150	1700	2400

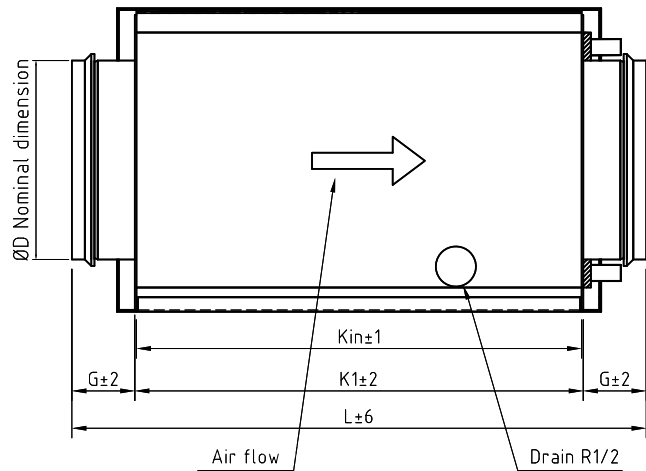
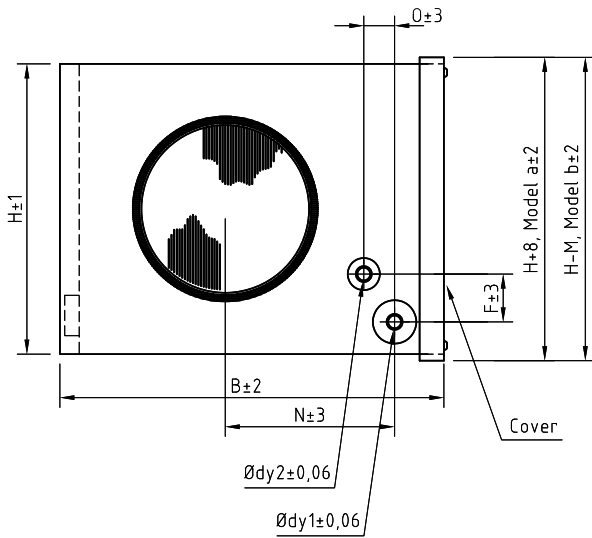
Evaporation temperature 5° C

Super heating 5° C

Condensation temperature 40° C

Sub cooling: 3° C

Inlet humidity: 55%



Typ	Dimension														Weight Kg
	Intern	ØD Nom.	H	B	Ødy1	Ødy2	F	G	K _{in}	K ₁	L	M	N	O	
CWDX 200-3-2,5	a	200	330	411	16	10	55	40	276	280	350	-	184	35	9,5
CWDX 250-3-2,5	a	250	405	486							-	223	12,5		
CWDX 315-3-2,5	b	315	504	560				15	260	16					
CWDX 400-3-2,5	b	400	529	710				442	334	21,5					

Project Design/Orders

Description – CWDX

Duct cooler, VEAB type CWDX, with casing made of Zinc Magnesium-coated sheet steel, S 220, ZM 310, coil with copper pipes and aluminium fins with hydrophilic coating.

Stainless steel drip tray (EN 1.4301) for condensation water. Designed for combined cooling and heating operation using a heat pump with controller.

Specify the following when configuring/ ordering

1. Duct dimensions: - mm
2. Air flow: - m³/h
3. Inlet air temperature: - °C
4. Inlet air humidity: - % RH
5. Outlet air temp.
or desired output: - °C or kW
6. Type of coolant:
7. Evaporation temp.: - °C
8. Condensing temperature - °C
9. Min. and max. inner volume of coil
10. Cooling and heating output on outdoor unit



VEAB Heat Tech AB
Tel +46(0)451-485 00
www.veab.com • veab@veab.com
Sweden